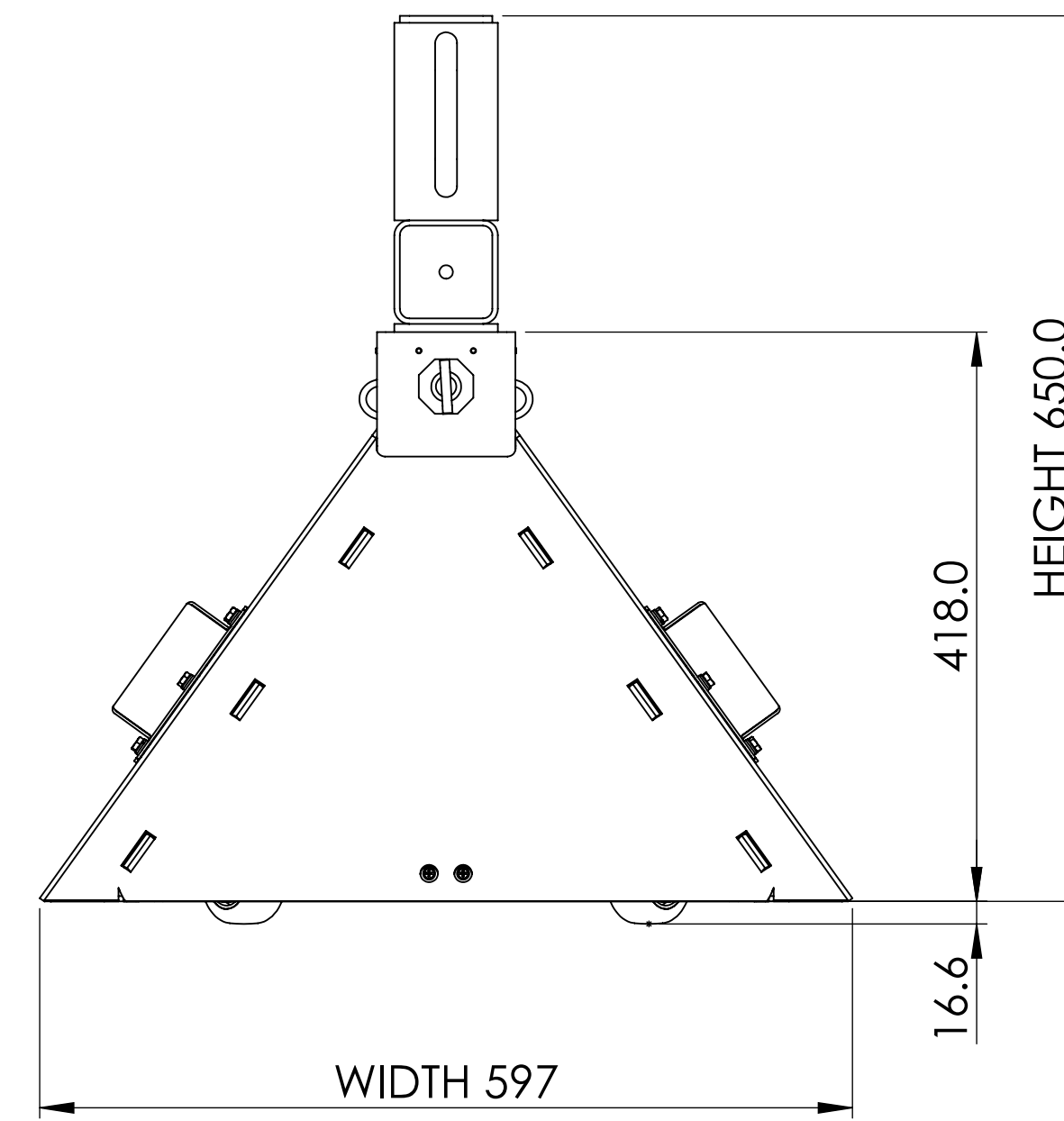
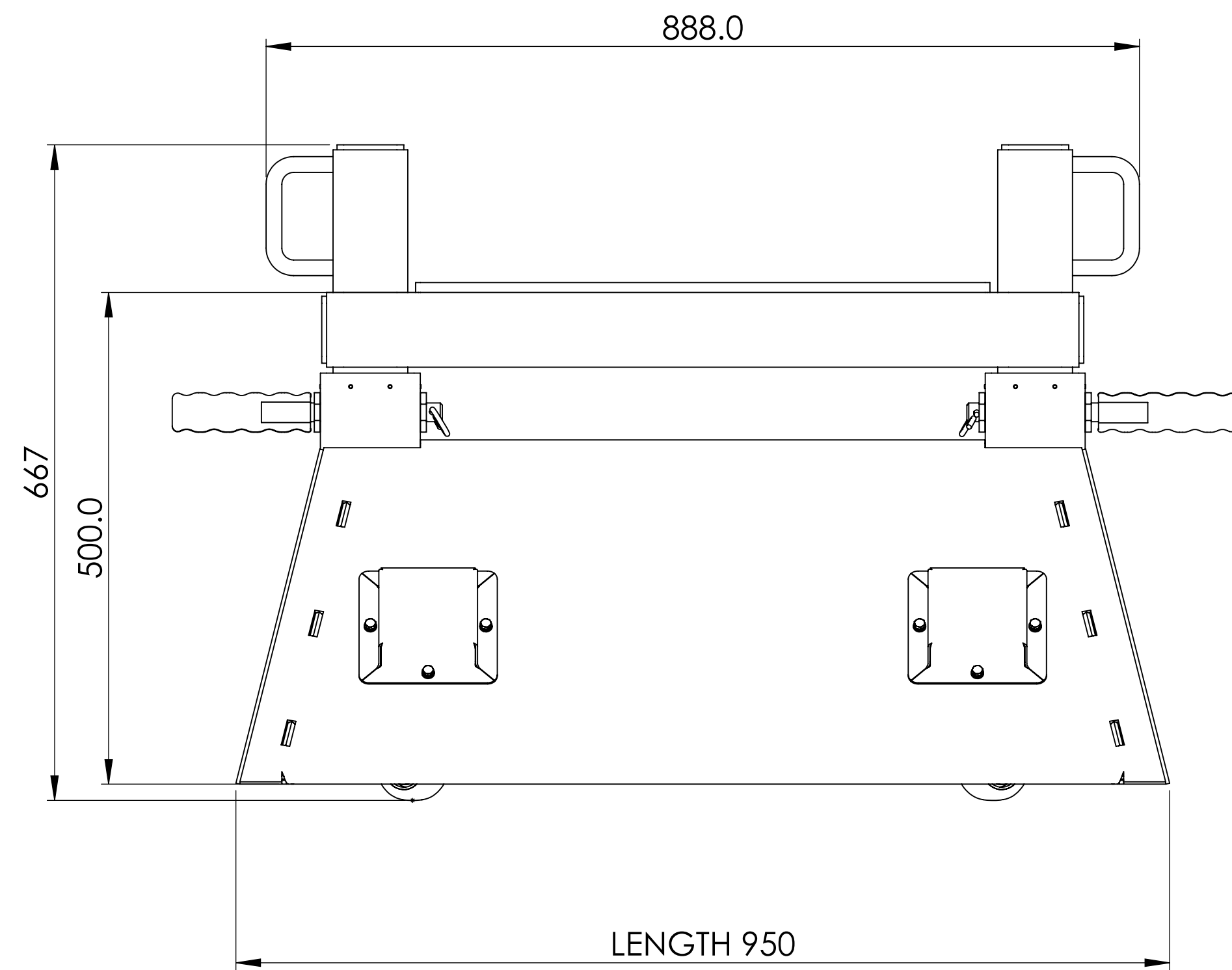


EXTENDED VIEW



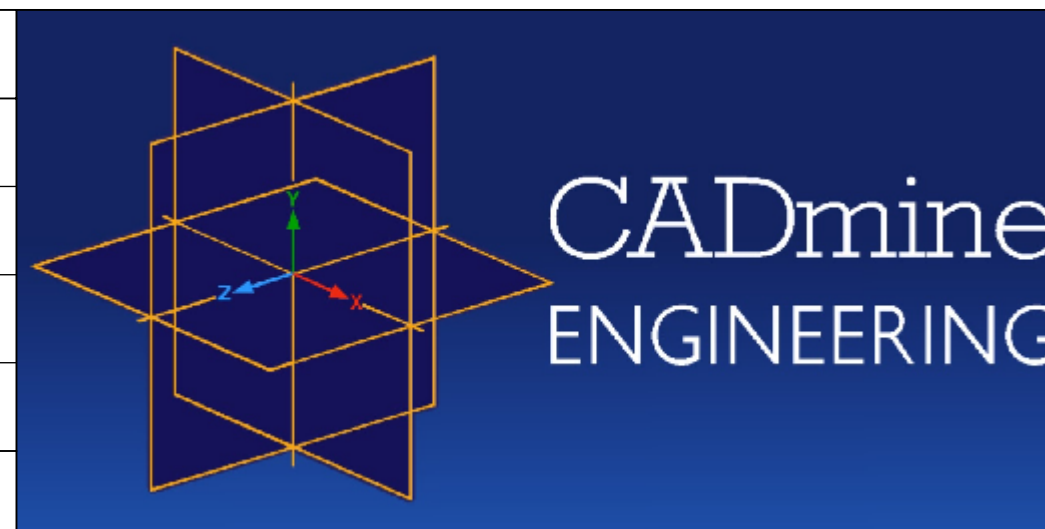
| ENGINEERING VERIFICATION                                       |       |
|--|-------|
| RATED WLL  | _____ |
| DES. STANDARD  | TBA   |
| CALCULATION No   | TBA   |
| APPROVED DATE  | TBA   |
| APPROVED REV   | TBA   |
| APPROVED BY  | TBA   |
| SIGNATURE  | _____ |
| TESTING REQUIRED IN ACCORDANCE WITH APPLICABLE DESIGN STANDARD |       |

This drawing and all the information thereon remains the property of CADmine and shall be returned on demand. It is issued on the condition that, except with written permission, it must not be reproduced, copied, or communicated to any party, nor to be used for any other purpose than that stated on the particular enquiry, order, or contract with which it was issued. Acceptance of this drawing signifies acceptance of the above conditions and copyright.

| TOLERANCE ON DIMENSIONS UNLESS NOTED OTHERWISE |       |
|--|-------|
| <b>MACHINING</b>                               |       |
| - One Decimal Place :                          | ±0.10 |
| - Two Decimal Places :                         | ±0.05 |
| - Angular :                                    | 0.5°  |
| - Surface Finish : $\sqrt{Ra}$                 |       |
| <b>FABRICATION</b>                             |       |
| - Up To 300                                    | ±1    |
| - 301 To 1000                                  | ±1.5  |
| - 1001 To 3000                                 | ±2    |
| - 3001 To 5000                                 | ±2.5  |
| - Over 5000                                    | ±3    |
| - Angular                                      | 1°    |

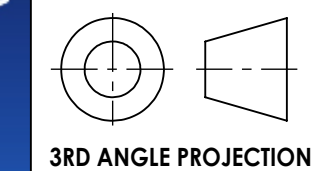
| DWG No. | TITLE             | No. | DESCRIPTION       | BY | DATE | CHK | DATE | APP | DATE |
|---------|-------------------|-----|-------------------|----|------|-----|------|-----|------|
|         | REFERENCE DRAWING |     | DRAWING REVISIONS |    |      |     |      |     |      |

| SIGNED APPROVED |       |
|-----------------|-------|
| ENG             | _____ |
| DRN             | _____ |
| CHK             | _____ |
| APP             | _____ |



|          |       |
|----------|-------|
| DRAWN    | _____ |
| CHECKED  | _____ |
| Q.A.     | _____ |
| MFG      | _____ |
| APPROVED | _____ |

|             |                               |           |                      |
|-------------|-------------------------------|-----------|----------------------|
| PROJECT:    | 2275-564 Ally Long Hole Stand |           |                      |
| TITLE:      | Ally Long Hole Stand          |           |                      |
| WEIGHT =/>: | 36840.47 Kg                   | SIZE      | D                    |
| MR:         | SEE BOM                       | DWG. NO.  | 2275-564             |
| REV         | 0                             | FINISHED: | PC/Y14 SAFETY YELLOW |
|             |                               |           | SHEET 1 OF 1         |



SCALE 1:5